



**J**ema Autolifte A/S  
we are here to surprise!



# **ORIGINAL INSTRUCTION MANUAL TRANSMISSION JACK**

**CAPACITY: 500 KG**

**Model No. JA1070GB**



**Nameplate:**

The nameplate is located on the oil container lift (No.5, Fig. 1) and inform about the basic Parameters of the jack

**The serial number** label is located on the jack cylinder ( No.5, Fig.1)

**Capacity:** 0,5 Ton

**Type:** JA1070GB

**Serial Number:** All serial numbers

**Production Year:** According to the information on the nameplate.

**The additional information:**

- **Capacity:** 0,5T
- **Min. height of saddle:** 1135 mm
- **Max. height of saddle:** 1950 mm
- **Net weight:** 31 kg

**Keep the manual for future**

**Read and understand this manual before use- Keep this manual in a convenient place so that you can refer to it during work.**

## Warnings and Precautions

- 1) Do not use jack before these instructions have been carefully read. Otherwise because of Improper use may result in personal injury or property damage
- 2) Only use the product for its intended purpose.
- 3) The jack is designed for assembly / disassembly of automotive gearbox. It is prohibited to use the lift for its intended purpose.
- 4) The jack is designed for use on hard, flat surface that is able to withstand the current load. Using on sloping and very soft surface, can lead to damage the cargo or personal inquiry.
- 5) Never use the jack on wet or slippery surfaces. Always use protective footwear with non-slip soles.
- 6) Never use the jack in horizontal or inverted position.
- 7) Never exceed jack's rated capacity 0,5 Ton.
- 8) Do not use jack for support purposes.
- 9) Never use the jack for lifting or lowering the vehicle.
- 10) Never lift or leave the vehicle, while using the jack in close distance.
- 11) Do not lift people.
- 12) Always rest the load on the central part of the jack saddle. Check before use, if load volume fit to the size of the jack saddle.
- 13) Before starting work, make sure that the vehicle is raised at the proper, safe height, and that it is adequately protected against displaced.
- 14) Before lifting or lowering the load make sure, that all person are at a safe distance.
- 15) When lifting or lowering loads, make sure that it is firmly positioned on the jack saddle and it is not possible to slide up from the saddle.
- 16) The load should be lowered very slowly, rapidly lowering can damage the hydraulic system and, consequently, to the fall of the load and its damage.
- 17) During work, the jack should be secured in such way that it cannot move the jack with a raised object.
- 18) No one can stay in the vehicle, under which the work is performed.
- 19) Personnel associated with the use and maintenance of the equipment must be careful, skilled, knowledgeable, and trained, in the safe use of the equipment and its proper use.
- 20) Before working with the jack, carefully evaluate its technical condition. Do not use the jack if You see any defect. Only fully functional jack ensures safe operation.
- 21) Before each use, inspect the oil. To refill, use only new oil for hydraulic equipment. Do not use any brake fluids, motor oils, alcohol or other detergents.
- 22) All the moving parts must always be well oiled.
- 23) During the jack operation, the operator must constantly observe and make sure the device works properly.
- 24) Do not leave a lifted load unattended.
- 25) If jack tips or leans, stop what You are doing now. Move quickly to a safe distance. Do not try to hold or steady jack.
- 26) During transport the jack with or without load, always saddle must be maximum lowered. Pay attention to the objects which lie on the ground and can cause jack fall with load.
- 27) Never work under or in close proximity to the load, which is supported only by a jack. Immediately secure the load on saddle and transport load to the final working place.
- 28) Only attachments or adapters supplied by the manufacturer shall be used.
- 29) Never remove any stickers from the jack.
- 30) The owner and/or operator must maintain and control the jack in accordance with the manufacturer's instructions.
- 31) Failure to observe this warning could result in serious injury or property damage.

**Warning:** Rate of descend may be differ depending on the weight of the load.

**Warning:** During using the tool: To reduce the risk of personal injury, or equipment damage, observe the following precautions.

**Warning:** The owner and/or user are responsible for maintaining all warnings labels and instructions in a legible and intact. In case of damage labels, contact the importer or manufacturer-

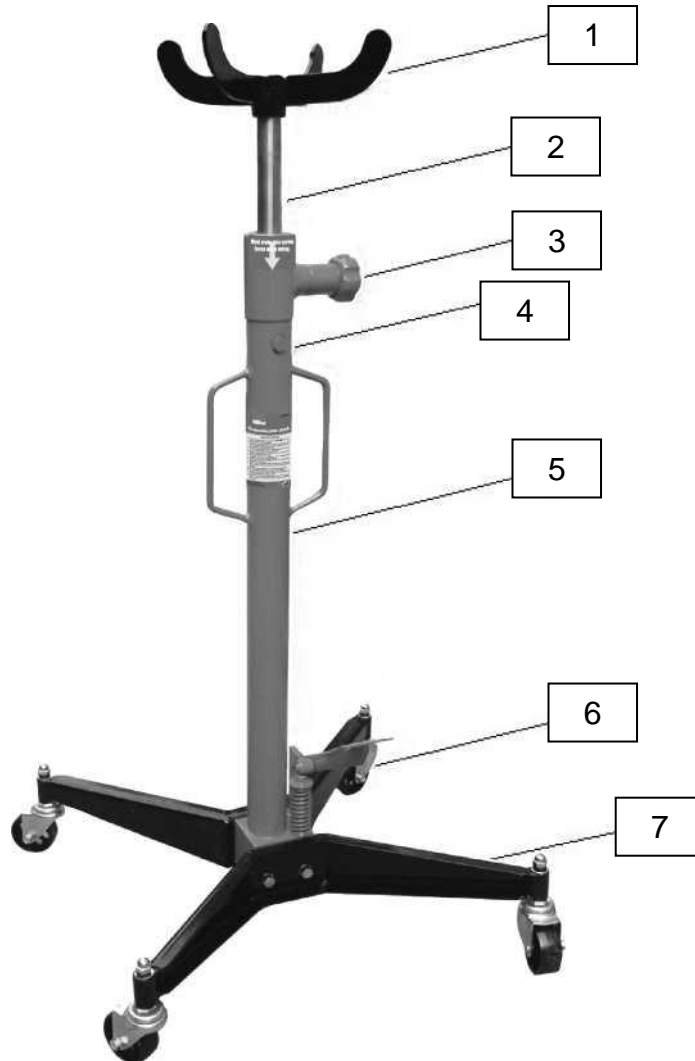
**Warning:** The warnings, cautions and instructions discussed in this manual cannot cover all possible conditions and situations that may occur. It must be understood by the user that common sense and caution are attributes which cannot be built into the appliance, but must be supplied by the user

- 1) The operator working area : must provide the ability to maintain a safe distance and exclude the slips and falls.
- 2) **The right dress.** Do not wear loose clothing, neckties or jewellery, they can be caught in moving parts. Use protective clothing and non-slip footwear when working. Wear protective hair covering to contain long hair.
- 3) **Wear eye protection.** Always wear safety glasses and work gloves.
- 4) **Keep work area clean and well lit.** Cluttered and dark areas invite accidents.
- 5) **Observe working area.** Do not use in wet or damp locations.
- 6) **Keep away from children.** Children must never be allowed in the work area. Do not let them handle machines tools, or equipment.
- 7) **Storage.** Tools must be stored in a dry location to inhibit rust. Keep it well protected and store it out of the reach of children and by standers .
- 8) **Check for damaged parts.** Before using the tool, carefully check its work correct. Visually inspect cracks excessive wear or other damage. Always replace worn and damaged parts. Never use the tool if any part is damaged or excessively worn.
- 9) **Replacement parts and accessories.** When servicing the tool, use only original replacement parts. Use of any other parts will void the warranty. Use accessories designed to work with these tools.

- 10) **Do not use tool while tired or under the influence of drugs, alcohol or medication.** Read warning labels on prescriptions to determine if your judgement or reflexes are impaired while taking drugs. If you have any doubt, do not use tools.
- 11) **No alterations to the jack shall be made.** Failure to heed this warning can result in injury or material property damage

## The construction of transmission jack

**Fig.1 Transmission jack**



1. Saddle
2. Ram
3. Lowering wheel
4. Oil hole
5. Main piston
6. Foot operated pump
7. Wheel stand

## Installation of the transmission jack

1. Attach the two wheel stand by turning the screw according with clockwise direction (see Fig.2).



**Fig.2 Wheelstand**

1. Lock valve/ vent screw

2. Attach the four wheels to the base of the jack by screwing the upper nut accordance with clockwise direction and the lower nut blocked using the key. By sure to retain the wheels at right angles to wheel stand. (see Fig.3).



**Fig.3 Wheel**

**Usage:** Before each use, carry out any inspection visually - check oil leaks, damage and worn parts.

**VENT :**

To vent the jack, loosen the vent screw ( no.4, Fig.1) and than pump the foot operated pump ( no.6, Fig.1), in order to displace the air from hydraulic system. Once above is done, tighten the screw again.

Check that the jack is working properly.

**Warning:**

• Each jack which have been damaged in any way, worn or abnormally works must be withdraw from use.

**LEFTED :**

Lifting jack occurs through the use of foot operated pump ( no.6, Fig. 1 )■

**Warning:**

- Never exceed jack's rated capacity
- Always secure the vehicle against displaced
- Always check that all persons are in a safe place
- Always set jack so that the weight of the load is evenly distributed over on the saddle LOWERING :

Lowering jack occurs through by turning hand wheel ( no.3 , Fig.I) counter-clockwise direction.

**Warning:**

- Never exceed jack's rated capacity
- Always set jack so that the weight of the load is evenly distributed over on the saddle
- Always turn hand wheel slowly
- Always secure the vehicle against displaced
- Always check that all persons are in a safe place
- Rate of descend may be differ depending on the weight of the load

**TRANSPORTED :**

When moving the load, pay special attention and care.

- Never exceed jack's rated capacity
- Always set jack so that the weight of the load is evenly distributed over on the saddle
- Always check the all persons are in a safe place
- Always secure the load chains, belts. Make sure that the lifted object is stable.
- Use only on hard and horizontal surface.
- Never use this jack on wet surfaces

**Storage/ maintenance**

**MAINTENANCE:**

When replenishing or replacing hydraulic fluid always use high quality hydraulic fluid. Never use brake fluid, alcohol, glycerin, detergents, motor oil, because the wrong fluid can caused serious internal damage jack.

Jack must be cleaned regularly, so that it always was in good condition and proper lubrication of moving parts.

All moving parts must be always well oiled.

Protect jack against the weather, corrosion, dirtiness and mechanical damage.

Store and move only in upright position.

According to the life cycle of jack, after 2 years of operation, the oil must be replaced for the new.

**OIL CHANGE :**

Regularly check the oil level in cylinder. The hydraulic oil must reach the filler opening level ( no.4, Fig.I) ■ If it is less supplemented as needed

**RECYCLING:**

Leaking oil collected in suitable containers and dispose of in accordance with local regulations.

Steel materials or materials to be recycled to the applicable buying scrap.

Plastic materials, must be submitted to the appropriate incineration or recycling center.

**Responsibility of the owner and/or user**

Before using this jack the owner and/or user needs to refer to with warnings and instructions of the manufacturer's manual. People working with this jack must be careful, skilled, knowledgeable and trained with safe use of this equipment and its proper use in the service of motor vehicle and the components. For verifying that the operator is familiar with the manufacturer's instructions and warnings in the national language, which are not translated in this manual, corresponds to the buyer/owner.

The owner and/or user must study and keep the manufacturer's instructions and warning information associated to the future and to be able to reach for them.

The owner and/or user are responsible for maintaining all warnings label and instruction in readable condition and an intact.

**Potential problems and their solutions.**

<b>PROBLEM POSSIBLE REASON FOR PROBLEM, SOLUTION</b>	<b>Jack does not lift load</b>	<b>Jack does not keep load up</b>	<b>Jack does not lift to maximum lifting height</b>	<b>Jack does not come down to minimum lifting height</b>	<b>Pump appears to be 'soft, under weight</b>	<b>Oil leaks out around oil container plug (10)</b>
Not enough oil in oil container (5): pour in some oil	X		X		X	
Too much oil in oil container (5): pour out some oil						X
Too much air in hydraulic system: release air from hydraulic system	X		X	X	X	
Release valves not fully closed: make sure that release valve is not blocked in lowered position	X	X				